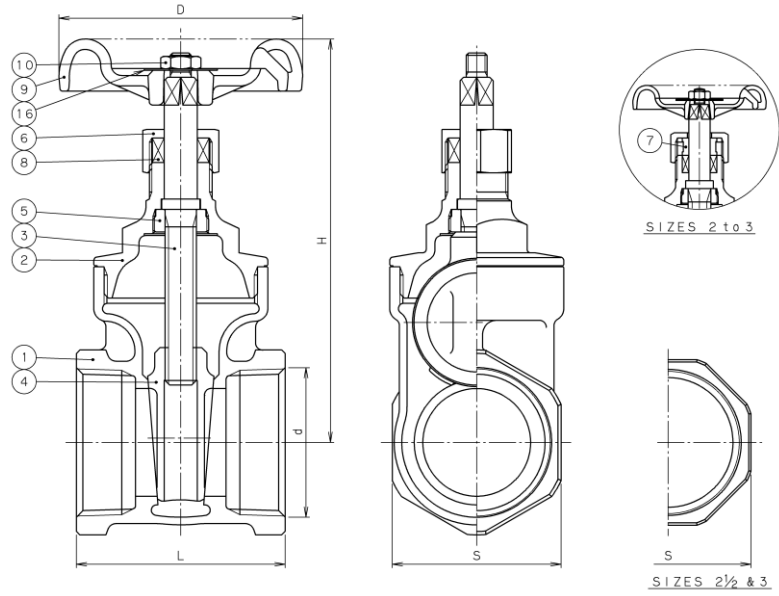


PN16 CAST BRONZE SCREWED END GATE VALVE

NON-RISING STEM , SOLID WEDGE DISC



Materials

No.	Name of parts	ASTM Specifications		
1	BODY	CAST BRONZE	B584-C84400	
2	BONNET	CAST BRONZE	B584-C84400	
3	STEM	SPECIAL BRASS *1		
4	DISC	CAST BRONZE	B584-C84400	
5	LOCK NUT	BRASS ROD	B16	
6	PACKING NUT	FORSS ROD	B283-C37700	
7	GLAND	BRASS ROD	B16	SIZES 2 to 3
8	GLAND PACKING	ARAMID FIBERS GRAPHITE		
9	HAND WHEEL	ALUMINUM DIE-CAST	B85	
10	WHEEL NUT	CARBON STEEL *2	A307-B	
16	NAME PLATE	ALUMINUM		

*1 DEZINCIFICATION RESISTANT BRASS

*2 ZINC PLATING.

Dimensions

Mark	Size	Dimensions									
		1/4	3/8	1/2	3/4	1	1 1/4	1 1/2	2	2 1/2	3
d	-	Rc3/8	Rc1/2	Rc3/4	Rc1	Rc1 1/4	Rc1 1/2	Rc2	Rc2 1/2	Rc3	
H	mm	-	76	76	86	98	118	126	154	180	211
L	mm	-	43	43	48	53	60	63	71	87	96
D	mm	-	48	48	55	63	70	80	90	90	100
S	mm	-	27.0	27.0	33.0	40.0	48.0	55.0	68.0	85.0	99.0

Working Pressures

16bar at 100°C , 7bar at 170°C

*Design and materials are subject to change without notice.